

INSTALLATION INSTRUCTIONS



1917 OAK PARK BLVD. PLEASANT HILL, CA 94523
(925)935-3025 FAX (925)935-2287

Shift Timer
Model ST-1

The model ST-1 Shift Timer is designed for either applying power or removing power to devices on a drag race vehicle at a preprogrammed time into the run (0-9.99 sec). Typical applications include single CO2 or Electric shift, single stage throttle stops, single nitrous oxide, high gear retards, etc. Your options are unlimited! Below are a few easy to understand wiring diagrams and output charts. Choose the diagram best suited for your particular application.

Ground = Chassis Ground: Good chassis ground (cage, frame or engine)

+12v = +12 volt power supply: Fused +12v supply from Master On-Off switch. 10 amp fuse maximum.

N.O.. - Normally Open Terminal: This terminal has no power present until the timer times out. 10a max.

N.C.. - Normally Closed Terminal: This terminal has +12v power present at all times until the timer times out. 10a max.

TRIGGER = Trigger input: This terminal starts the timer at the launch of the car (start of race) and is tied into the transbrake.

PULSE LENGTH Switches: Short = .5 second pulse Long = 17. second pulse

Under the 1/2-inch black plastic screw you'll find 2 micro switches that rock left to right. These switches control the PULSE LENGTH of the output terminals. Move both switches to the left for a SHORT 1/2 second (.5) pulse, and to the right for a LONG 17 second (17.) pulse. After the pulse, the output will return to what it was before the pulse.

Sample Applications:

- If you are using a device such as an air/CO2 shifter, and you need a quick pulse of +12 volts to shift, and normally have no power on, use the **N.O..** (Normally Open) terminal and set both switches to the **SHORT** (left) setting.
- If you are using a device such as a Nitrous Oxide system, and you need a long pulse of +12 volts, use the **N.O..** (Normally Open) terminal and set both switches to the **LONG** (right) setting.
- Electric spring type shifters such as the Dedenbear Solenoid Shifter require **removal** of +12 volts, use the **N.C.** (Normally Closed) terminal and only need a **SHORT** pulse.
- Other brand "push" type shifter solenoids require a heavy duty relay (30amps or greater), and use the **N.O.** terminal & **SHORT** pulse.

INSTALLATION

- 1) Mount the Shift Timer unit away from excessive heat, vibration, & ignition wires. Fasten it with (4) #6 sheet metal screws, slightly compressing the rubber mounting grommets. It can be mounted in any position, even upside down for overhead locations. Mount the unit where it would be protected from fluids, such as rain, oil or brake fluid.
- 2) Wire the unit as shown in the wiring diagrams. Use at least 14 gauge wire or larger. Install a fuse or circuit breaker to protect the box from possible damage from short circuits. Make sure you have a good ground connection. (Grounding to interior aluminum sheet metal is not reliable.) Use a serrated washer on the chassis ground. The "Trigger" terminal should be wired to the transbrake solenoid wire *after* the delay box (if you're using one). This is so power is removed from the trigger when the car actually launches.

SEE REVERSE SIDE FOR WIRING DIAGRAMS

OPERATION

- 1) Set the pushbutton thumbwheels to the desired time into the run when you want the timer to operate.
- 2) Apply your transbrake on the starting line like normal, and when you launch, the Shift Timer will start to time out.
- 3) When the preprogrammed time elapses, the N.O.. (Normally Open) terminal will apply power and the N.C.. (Normally Closed) terminal will remove power. After the pulse occurs, the output returns to its normal condition.
- 4) If you wish to make a pass without the Shift Timer operating, simply disconnect the Trigger terminal, and the unit will not know you're making a pass. (Setting the timer to 0.00 seconds will make it operate as soon as the car launches!)

LIMITED 1 YEAR WARRANTY

Dedenbear Products components are warranted directly by Dedenbear Products against defective materials or workmanship under normal use and service for a period of one (1) year after purchase. Dedenbear Products will repair or replace the defective unit, at Dedenbear Products option, free of charge. This warranty does not cover any damage to the component caused by abuse, mishandling, alteration, accident, electrical current fluctuations, failure to follow installation/operating instructions, maintenance, storage and environmental conditions, acts of God, or repair attempts made by anyone other than Dedenbear Products Authorized Service facility.

DEDENBEAR PRODUCTS SHALL NOT BE LIABLE FOR INJURY, CONSEQUENTIAL, OR OTHER TYPE DAMAGES RESULTING FROM THE USE OF ITS PRODUCTS, OTHER THAN THE LIABILITY STATED ABOVE. This warranty is in lieu of all other warranties of merchantability or fitness of use. This warranty gives you specific legal rights, and you may also have other rights which vary from state to state.

FOR SERVICE on all Dedenbear Products, return directly to: DEDENBEAR PRODUCTS, INC. • ATTN: REPAIRS • 1917 OAK PARK BLVD. • PLEASANT HILL, CA 94523. **For Faster Service**, please include a note describing the nature of the problem, a copy of your original invoice, your name, return shipping address, and daytime & evening phone numbers where you can be reached. Or call us and we'll take down the information. Normal turn-around time on service is typically 24-48 hours.

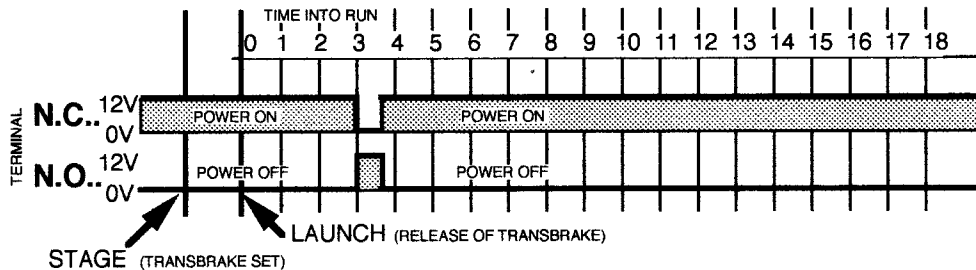
CUSTOMER SERVICE & TECH. SUPPORT : (925)935-3025 Mon-Fri 8am-5pm PST

ST-1-Instr.
Orig. 3/97 Rev. 7/98

OPERATION CHARTS

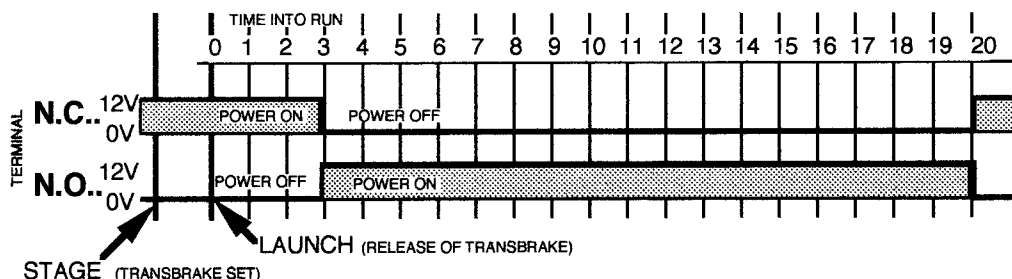
TIMER SET FOR 3.00 SECONDS
PULSE LENGTH SET FOR "SHORT"
(.5) SECONDS

The N.C. terminal has power until the timer elapses, then removes power for 1/2 second, then applies power again. The N.O. terminal has no power until the timer elapses, then applies power for 1/2 second, then removes power again.



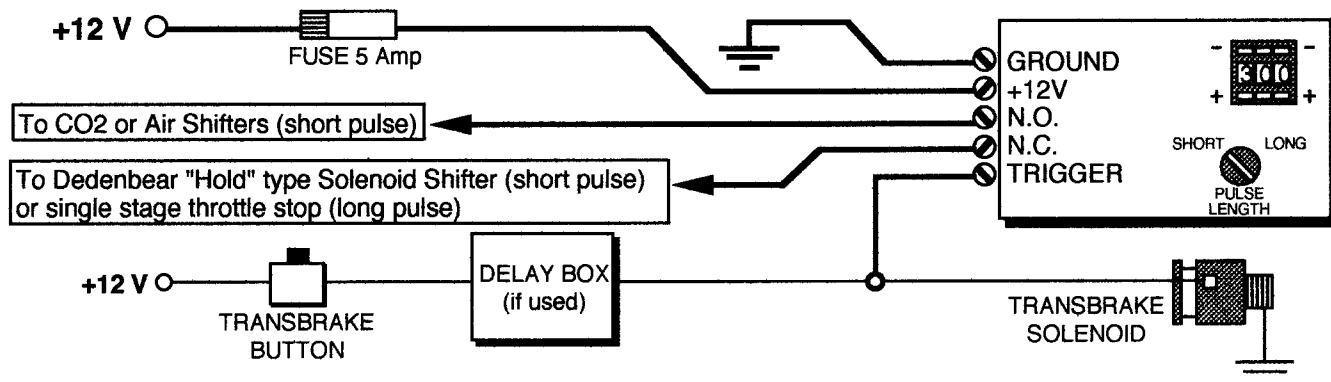
TIMER SET FOR 3.00 SECONDS
PULSE LENGTH SET FOR "LONG"
(17.) SECONDS

The N.C. terminal has power until the timer elapses, then removes power for 17. seconds, then applies power again. The N.O. terminal has no power until the timer elapses, then applies power for 17. seconds, then removes power again.

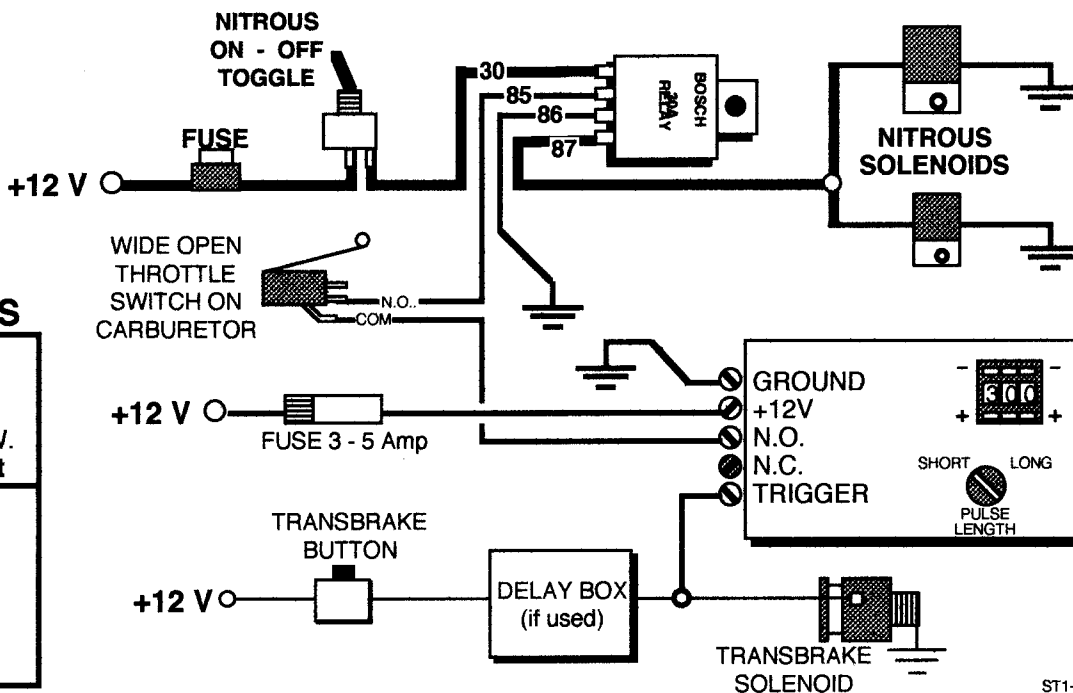


TYPICAL WIRING DIAGRAMS

Typical wiring diagram for electric "hold" or "spring" type solenoid shifters or CO2 air shifters: Set box for **SHORT** pulse. For "baseplate" style throttle stops: Set box for **LONG** pulse. Maximum amperage rating for the ST-1 is 10 amps.



Typical wiring diagram for **NITROUS OXIDE** systems: Set box for **LONG** pulse.



Changing the PULSE SWITCHES

MICRO ROCKER SWITCHES ARE UNDER THE 1/2-INCH BLACK PLASTIC SCREW. Move **BOTH** left or right

