

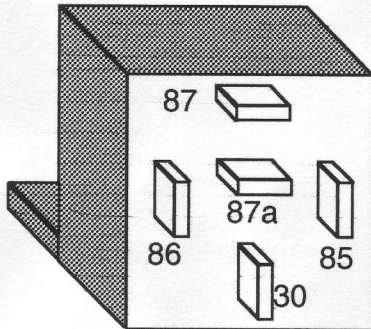
INSTALLATION INSTRUCTIONS



1917 Oak Park Blvd. • Pleasant Hill, CA 94523
(925)935-3025 • FAX (925)935-2287

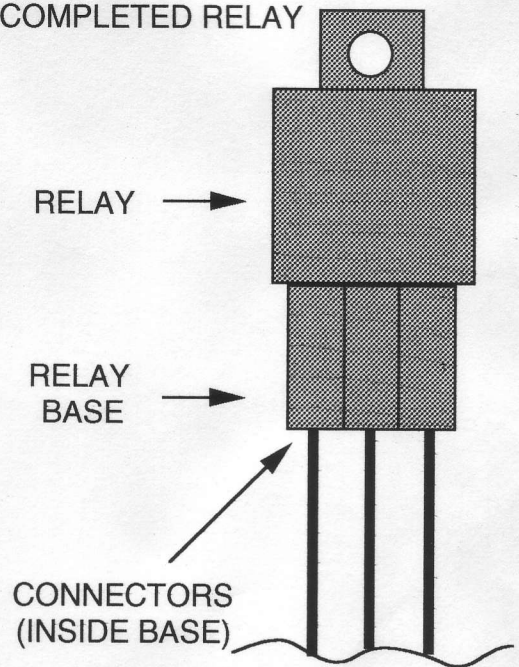
**HIGH
POWER
RELAY
Model HPR**

RELAY TERMINALS

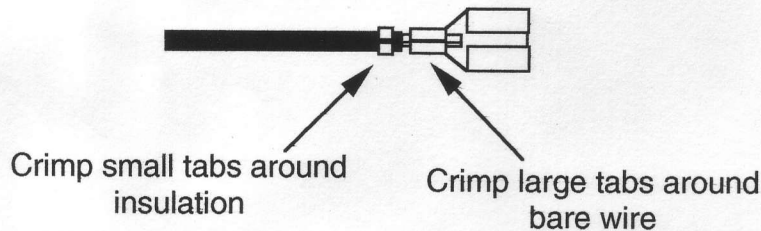


Terminal #'s
30 = Common
85 = Coil (-)
86 = Coil (+)
87 = Normally Open
87a = Normally Closed

COMPLETED RELAY



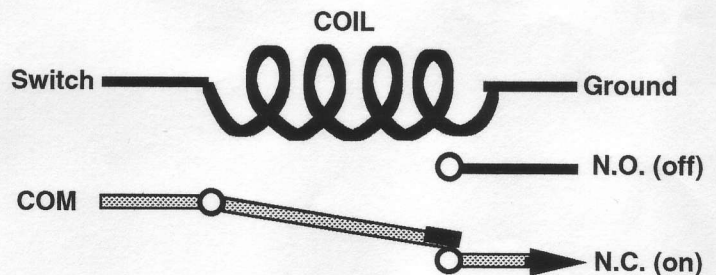
TERMINAL CRIMPING



1. Mount the relay away from heat and vibration.
2. Crimp the terminals as shown above, use 18 ga. wire for the coil leads (terminals 85 & 86) and 14 to 12 ga. wire for the common, N.O. and N.C. (terminals 30, 87 & 87a).
3. Snap the terminals in to the relay base, there will be an audible "click" when the terminal seats.
4. Push the completed relay base on to the bottom of the relay.

HOW A RELAY WORKS

When **NO POWER** is applied to the "Coil", the relay is relaxed, +12volt power on the "**Com**" (Common) will exit on the "**N.C.**" (Normally Closed) wire, because the contacts are closed. There will be nothing on the "N.O." (Normally Open) wire, because the contacts are open.



When **POWER** is applied to the "Coil", the relay is energized, +12volt power on the "**Com**" (Common) will exit on the "**N.O.**" (Normally Open) wire. There will be nothing on the "N.C." (Normally Closed) wire, because the contacts have moved.

