

INSTALLATION INSTRUCTIONS

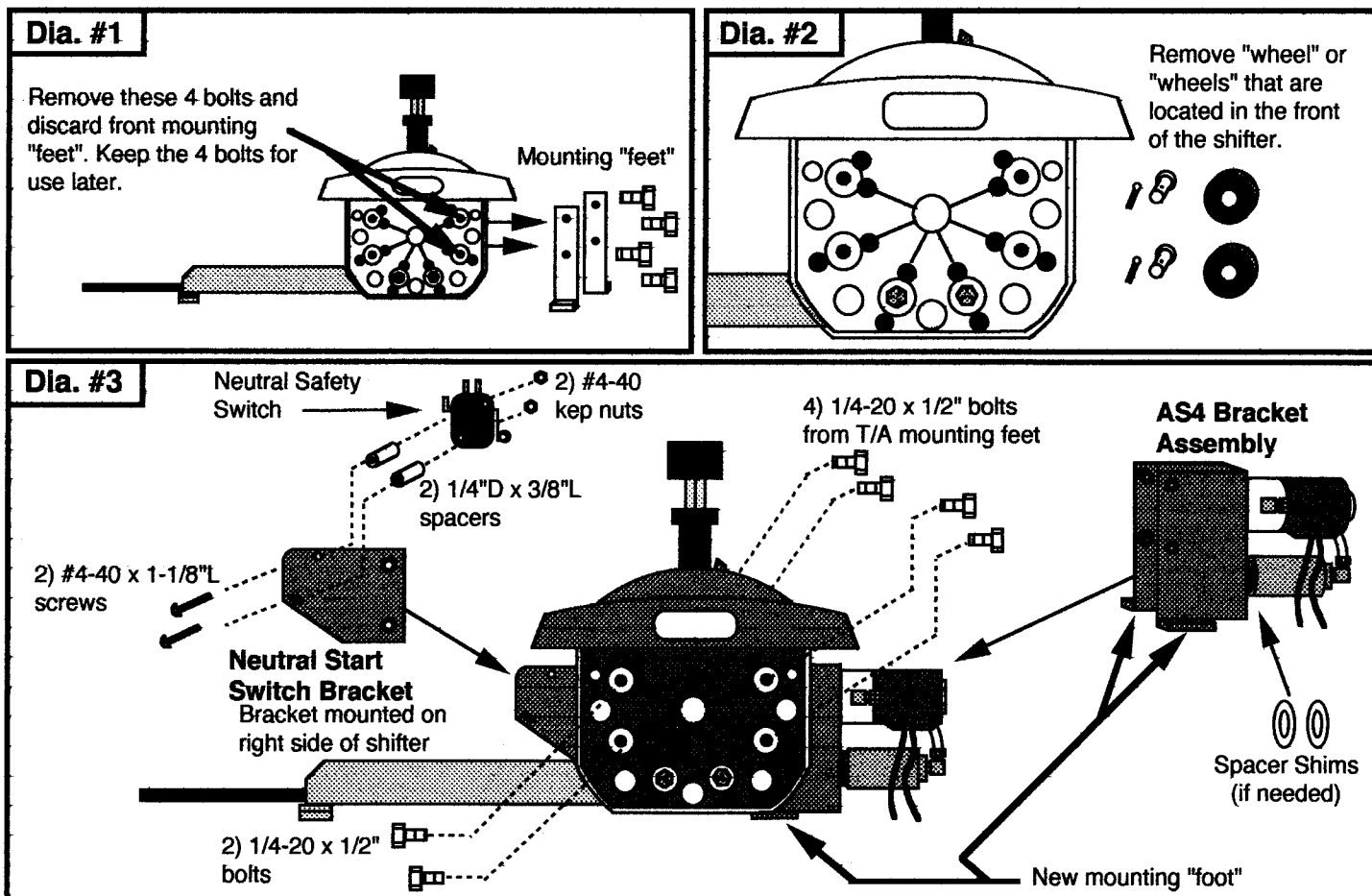
1917 OAK PARK BLVD. • PLEASANT HILL, CA 94523
(925)935-3025 • FAX (925)935-2287

AIR SHIFTER
2 & 3 Speed,
Forward Pattern only, for
Turbo Action Cheetah SCS
Model AS4

For all 2 speed & 3 speed, **FORWARD PATTERN** valve bodies using a **Turbo Action Cheetah SCS** shifter

INSTALLATION:

- 1) If you are using the Turbo Action Cheetah shifter's supplied neutral start switch, remove it from the front of the shifter and discard. Unhook the wires that are connected to it, you will be using these wires later.
- 2) Remove the front mounting "feet" as shown in Dia. #1. Keep the bolts and discard the "feet".
- 3) Remove the wheel or wheels located in the front of the shifter, and discard these. (Dia. #2) You may have to move the shifter lever to different positions to get access to the cotter pins and to remove the clevis pin that holds the wheel(s) in place.
- 4) Using the 4) 1/4-20 x 1/2" long bolts that you removed earlier from the Turbo Action shifter front mounting feet, attach the AS4 bracket assembly to the front of the shifter as shown in Dia. #3. Note the AS4 bracket assembly has new provisions for mounting feet and will line up with the old mounting holes in your transmission tunnel. Check to see if the Turbo Action shifter lever moves through all the gears without any interference. Add shim washers to the brass cylinder for clearance if needed.
- 5) Connect the supplied neutral start switch to the bracket as shown in Dia. #3 with the roller tip forward and down using the small #4-40 screws, 3/8" spacers, and kep nuts (washers built in). Carefully tighten, you do not want to break the microswitch. (part number: LSW5). Attach to the back of the Turbo Action shifter as shown in Dia. #3, using 2) 1/4"-20 x 1/2" bolts provided. You may want to attach the wires first. (Dia. #4)
- 6) Notice the bracket has a small slot for adjusting the position of the microswitch. Make sure the switch "clicks" when the shifter is in Park and Neutral positions.
- 7) Connect your 1/4" diameter CO2 supply line to the compression fitting on the side of the AS4 valve. Use the supplied tubing insert to prevent the tubing from collapsing.
- 8) Set your line pressure on your regulator to 90-100 psi.



WIRING:

NEUTRAL START SWITCH:

- 1) Connect the neutral start switch wires to the microswitch using the supplied .187 wide female quick disconnect terminals. One wire to the COM terminal and one wire to the NO terminal as shown in Dia. #4. The NC terminal is not used.

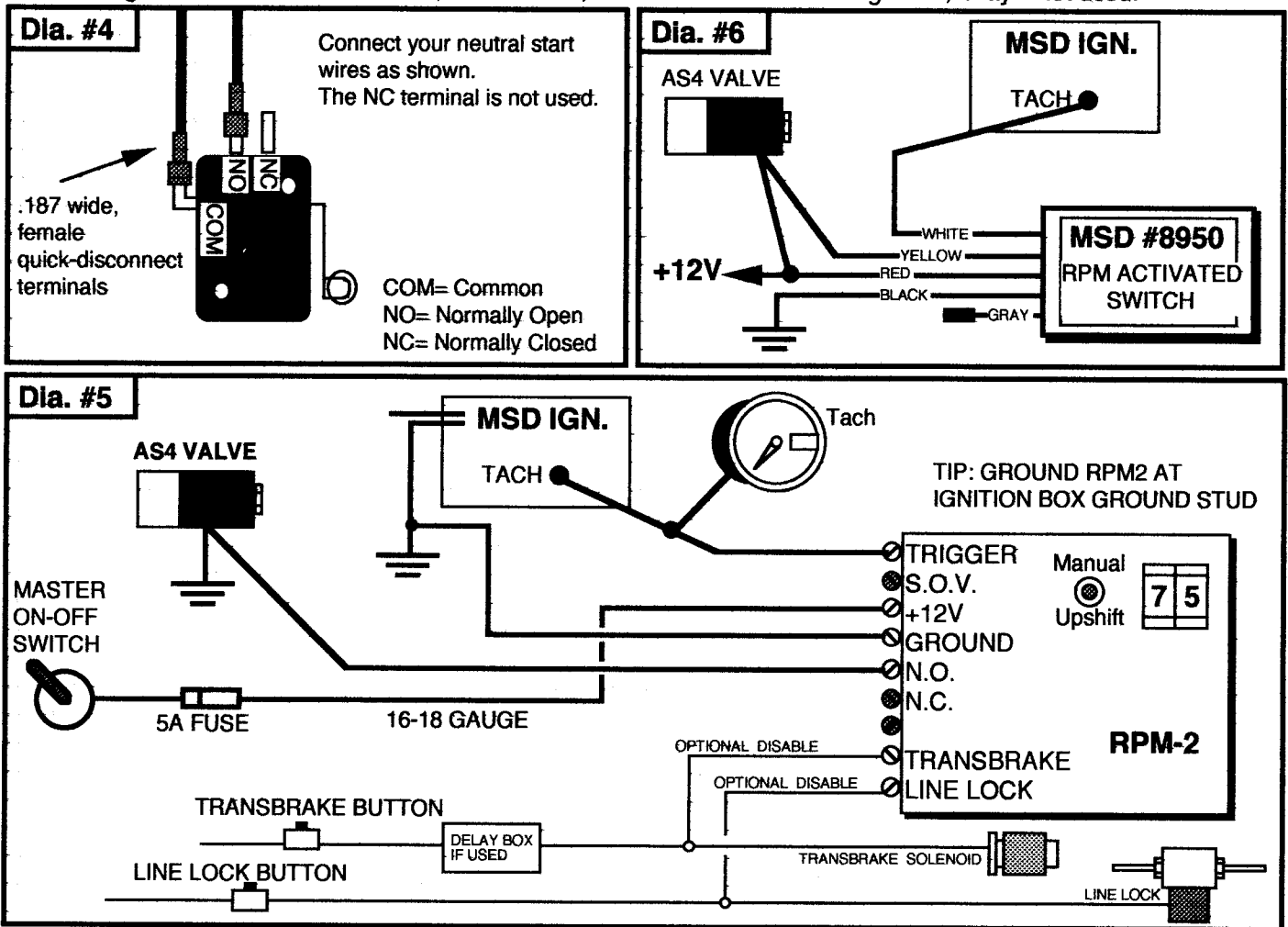
DEDENBEAR RPM SWITCH:

- 1) Connect the Dedenbear RPM switch to the AS4 as shown in Dia.#5. Use 18-16ga wire. The Dedenbear RPM switch will supply +12V power to the CO2 solenoid to activate it and make it shift.
- 2) Set your desired shift point on the thumbwheels. (Example: 75 would be 7500rpm, 67 would be 6700rpm)
- 3) You can use the Manual Upshift button to check operation without having to start your engine or during a pass to short shift your transmission.
- 4) The Transbrake & Line Lock terminals are optional "disable" terminals. When the Transbrake terminal is wired, the RPM-2 switch will not shift for approx. .6 seconds after the transbrake is released when the vehicle launches. When the Line Lock terminal is wired, the RPM-2 will not shift during the burnout as long as the line lock button is being held. If you do not wish to use these features, simply do not wire them.

MSD RPM SWITCH:

- 1) Connect the MSD RPM Activated Switch #8950 as shown in Dia. #5. The MSD unit supplies GROUND to the CO2 solenoid, the other side of the solenoid is wired to a constant "hot" +12v source.

#8950 wiring: Red=+12v, Black=Ground, White=Tach, Yellow=To AS4 solenoid ground, Gray= Not used.



LIMITED 1 YEAR WARRANTY

Dedenbear Products components are warranted directly by Dedenbear Products against defective materials or workmanship under normal use and service for a period of one (1) year after purchase. Dedenbear Products will repair or replace the defective unit, at Dedenbear Products option, free of charge. This warranty does not cover any damage to the component caused by abuse, mishandling, alteration, accident, electrical current fluctuations, failure to follow installation/operating instructions, maintenance, storage and environmental conditions, acts of God, or repair attempts made by anyone other than Dedenbear Products Authorized Service facility. DEDENBEAR PRODUCTS SHALL NOT BE LIABLE FOR INJURY, CONSEQUENTIAL, OR OTHER TYPE DAMAGES RESULTING FROM THE USE OF ITS PRODUCTS, OTHER THAN THE LIABILITY STATED ABOVE. This warranty is in lieu of all other warranties of merchantability or fitness of use. This warranty gives you specific legal rights, and you may also have other rights which vary from state to state.

FOR SERVICE on all Dedenbear Products, return directly to: DEDENBEAR PRODUCTS, INC. - ATTN: REPAIRS - 1917 OAK PARK BLVD. - PLEASANT HILL, CA 94523. For Faster Service, please include a note describing the nature of the problem, a copy of your original invoice, your name, return shipping address, and daytime & evening phone numbers where you can be reached. Or call us and we'll take down the information. Normal turn-around time on service is typically 24-48 hours.

CUSTOMER SERVICE & TECH. SUPPORT : (925)935-3025 Mon-Fri 8am-5pm PST Orig. 2/98 Rev. 3/98